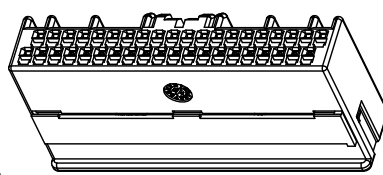
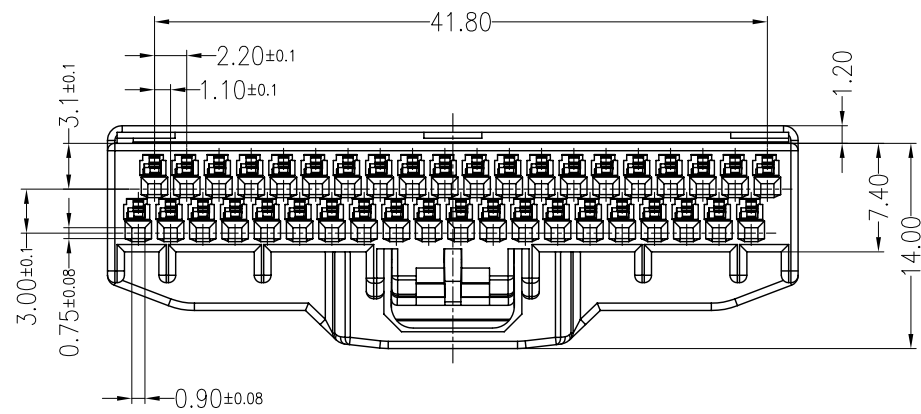
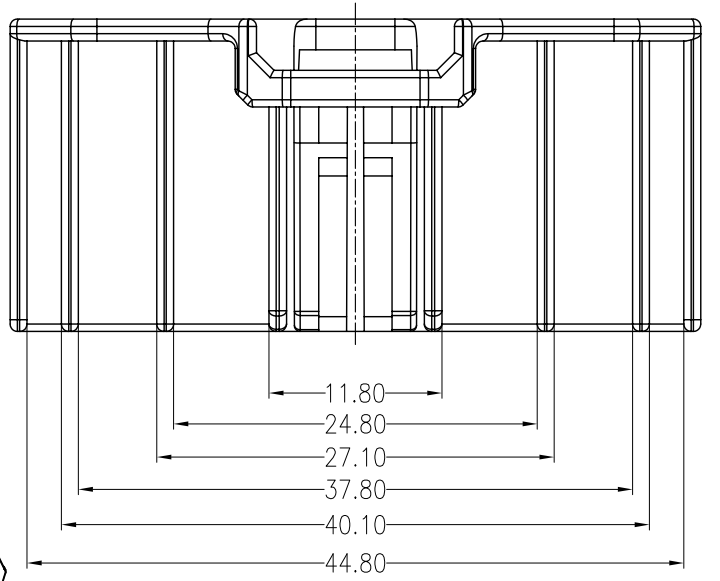
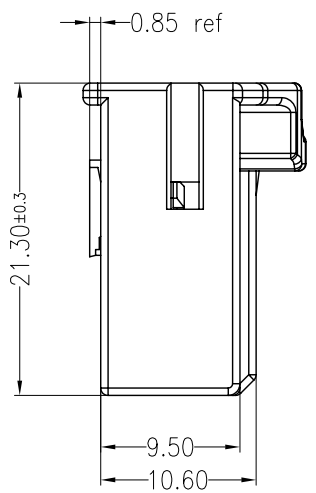
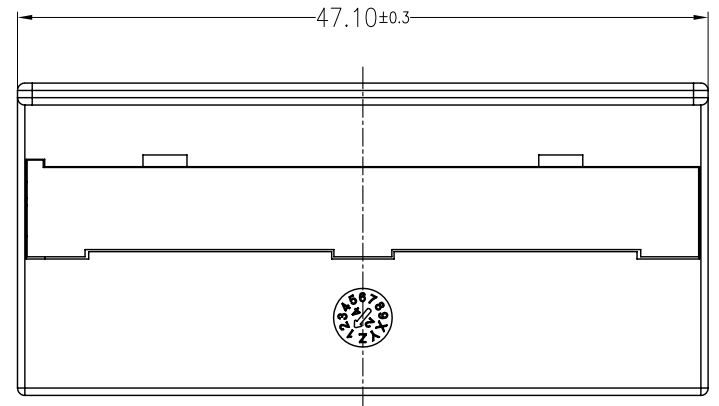
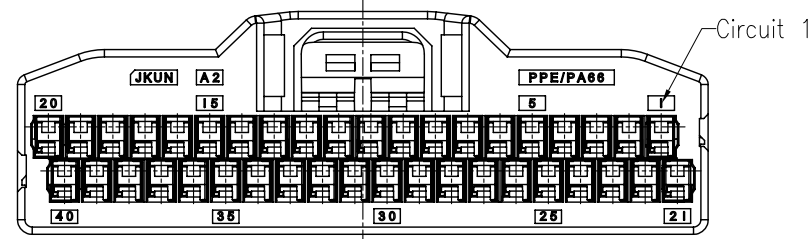


REV	DESCRIPTION	DESIGN	DATE
A	NEW RELEASE	Z.M.Xue	2024.05.31

ORDER INFORMATION:
QA2201TY-220-P2G-B
 PART No. _____
 No.OF CIRCUITS: _____
 2*20
 PLASTIC MATERIAL: _____
 P2G=PPE/PA66(Grey)
 PACKAGING:
 B=Blister Box

Specifications:
 Contact resistance: ≤20mΩ
 Insulation resistance: ≥100MΩ
 Rated voltage: 50V AC DC
 Rated current: 3.0A AC DC
 Temperature Range: -40°C ~ +125°C
 Housing: PPE/PA66 UL94-HB, Grey
 TPA: PPE/PA66 UL94-HB, Black



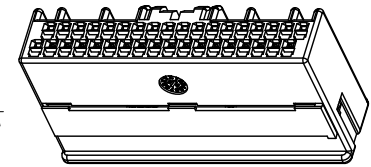
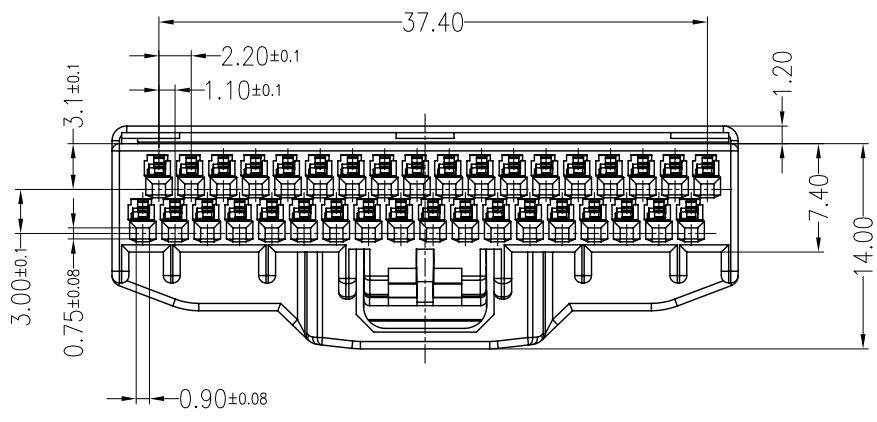
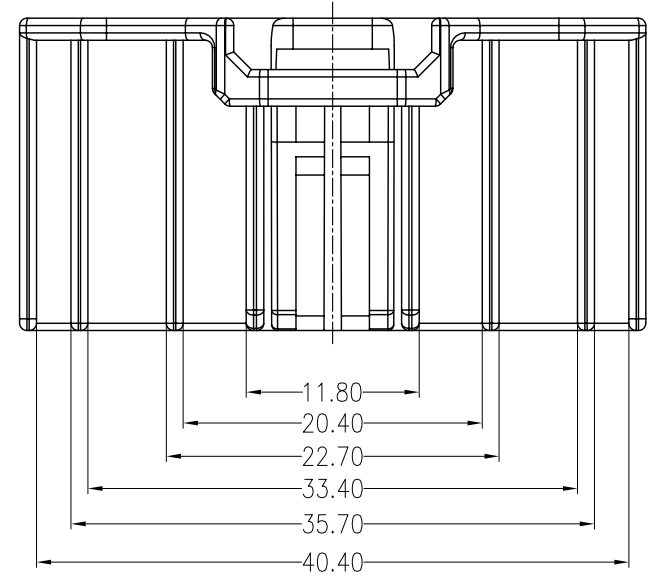
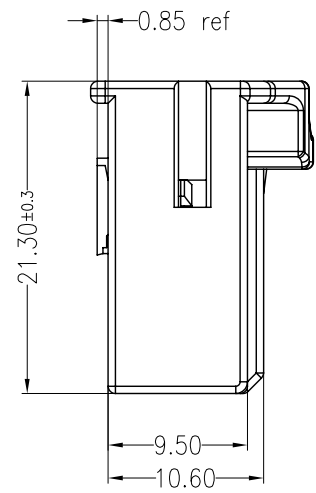
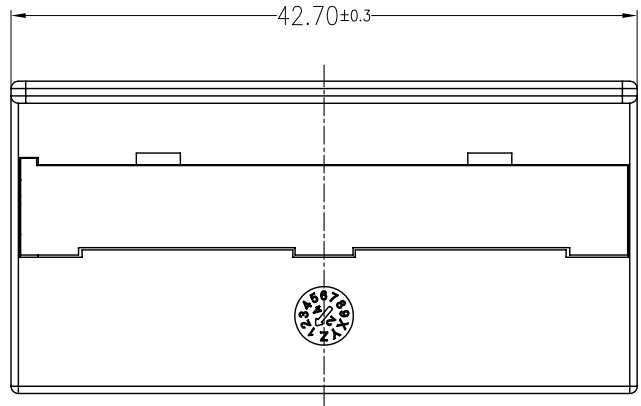
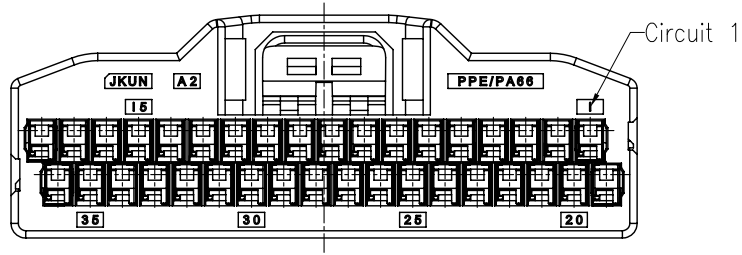
JKUN 温州健坤接插件有限公司 WENZHOU JKUN CONNECTOR CO.,LTD.		TITLE: 2.20 Pitch Connector	
GENERAL TOLERANCE		USE: CUSTOMER	PART NO.:
X. ±0.50	X. ±5'	APPD: J.J.Yao	QA2201TY-220-P2G-B
X.X ±0.30	X.X ±2'	CHKD: X.F.Yan	DWG NO.:
X.XX ±0.20	X.XX ±1'	DR: Z.M.Xue	JKUN-GCKH-1754
UNITS: mm		SCALE 2 : 1	SHEET 1 / 1

A | B | C | D | E | F

REV	DESCRIPTION	DESIGN	DATE
A	NEW RELEASE	Z.M.Xue	2024.05.31

ORDER INFORMATION:
QA2201TY-218-P2G-B
 PART No. _____
 No.OF CIRCUITS: _____
 2*18
 PLASTIC MATERIAL: _____
 P2G=PPE/PA66(Grey)
 PACKAGING:
 B=Blister Box

Specifications:
 Contact resistance: ≤20mΩ
 Insulation resistance: ≥100MΩ
 Rated voltage: 50V AC DC
 Rated current: 3.0A AC DC
 Temperature Range: -40°C ~ +125°C
 Housing: PPE/PA66 UL94-HB, Grey
 TPA: PPE/PA66 UL94-HB, Black



A | B | C | D | E | F

JKUN 温州健坤接插件有限公司 WENZHOU JKUN CONNECTOR CO.,LTD.		TITLE: 2.20 Pitch Connector	
GENERAL TOLERANCE		USE: CUSTOMER	PART NO.:
X. ±0.50	X. ±5'	APPD: J.J.Yao	QA2201TY-218-P2G-B
X.X ±0.30	X.X ±2'	CHKD: X.F.Yan	DWG NO.:
X.XX ±0.20	X.XX ±1'	DR: Z.M.Xue	JKUN-GCKH-1752
UNITS: mm		SCALE	SHEET
		2 : 1	1 / 1

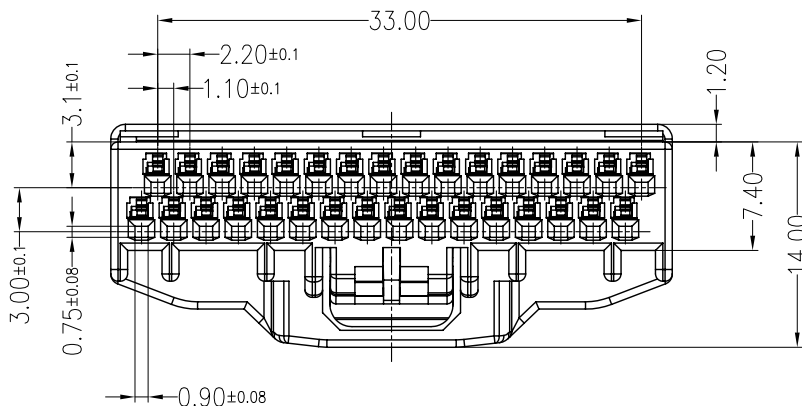
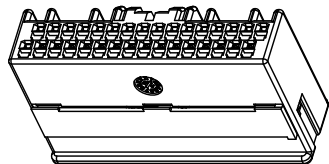
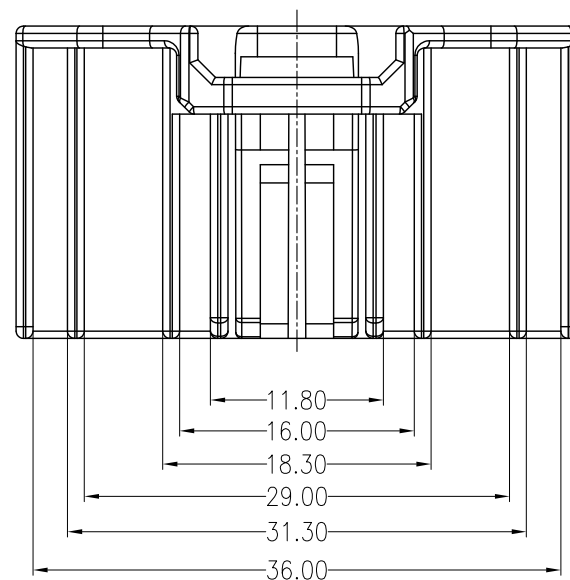
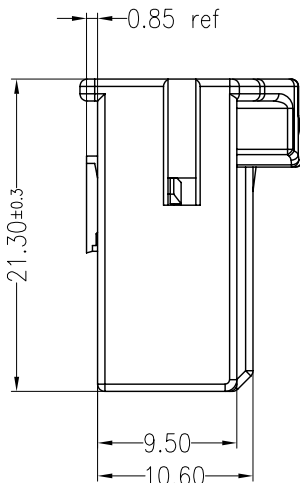
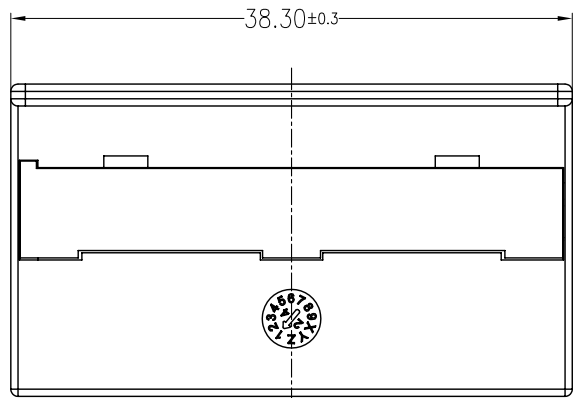
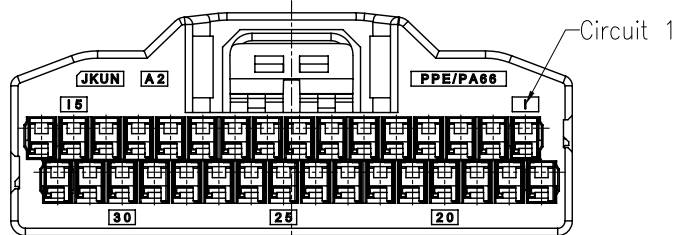
REV	DESCRIPTION	DESIGN	DATE
A	NEW RELEASE	Z.M.Xue	2024.05.31

ORDER INFORMATION:

QA2201TY-216-P2G-B
 PART No. _____
 No.OF CIRCUITS: 2*16
 PLASTIC MATERIAL: P2G=PPE/PA66(Grey)
 PACKAGING: B=Blister Box

Specifications:

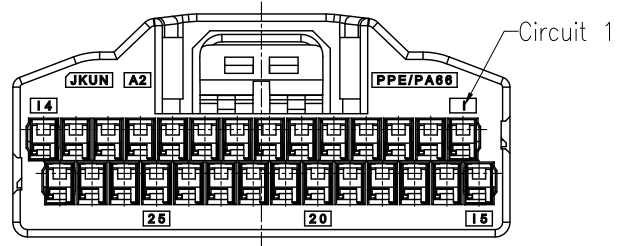
Contact resistance: ≤20mΩ
 Insulation resistance: ≥100MΩ
 Rated voltage: 50V AC DC
 Rated current: 3.0A AC DC
 Temperature Range: -40°C ~ +125°C
 Housing: PPE/PA66 UL94-HB, Grey
 TPA: PPE/PA66 UL94-HB, Black



JKUN 温州健坤接插件有限公司 WENZHOU JKUN CONNECTOR CO.,LTD.		TITLE: 2.20 Pitch Connector	
GENERAL TOLERANCE		USE: CUSTOMER	PART NO.:
X. ±0.50	X. ±5'	APPD: J.J.Yao	QA2201TY-216-P2G-B
X.X ±0.30	X.X ±2'	CHKD: X.F.Yan	DWG NO.:
X.XX ±0.20	X.XX ±1'	DR: Z.M.Xue	JKUN-GCKH-1750
UNITS: mm		SCALE	SHEET
		2 : 1	1 / 1

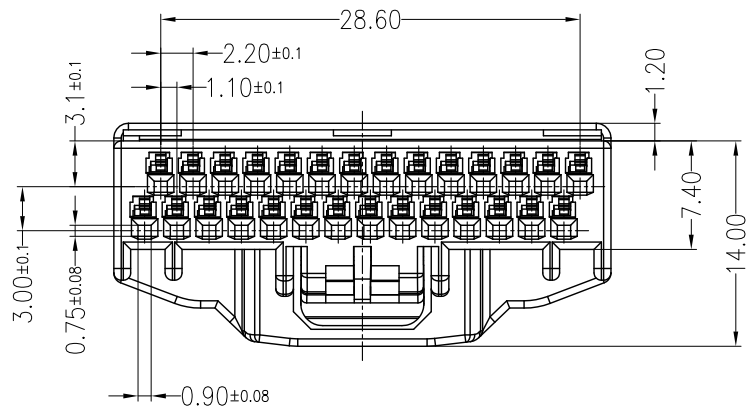
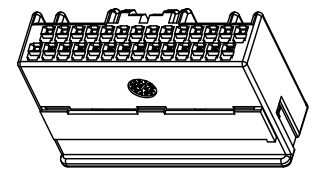
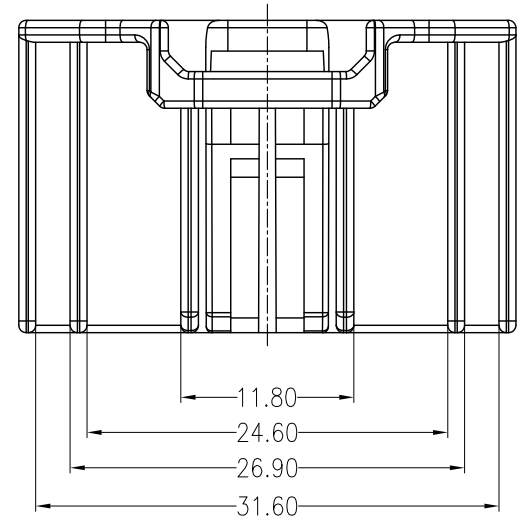
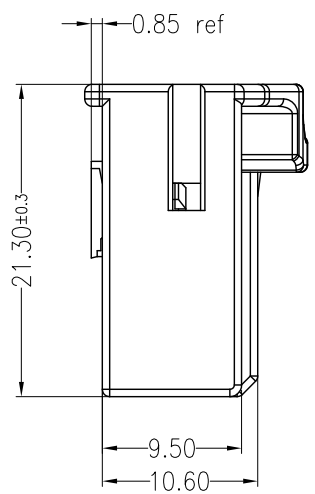
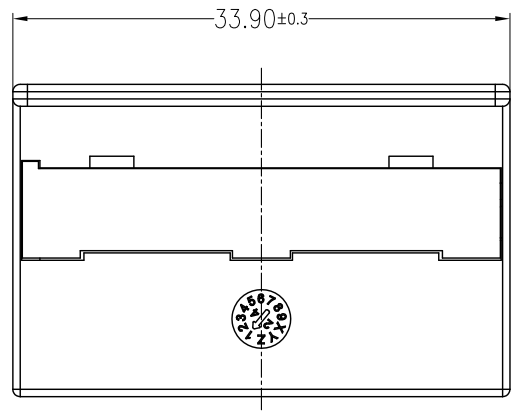
A B C D E F

REV	DESCRIPTION	DESIGN	DATE
A	NEW RELEASE	Z.M.Xue	2024.03.19



ORDER INFORMATION:
QA2201TY-214-P2G-B
 PART No. _____
 No.OF CIRCUITS: 2*14
 PLASTIC MATERIAL: _____
 P2G=PPE/PA66(Grey)
 PACKAGING:
 B=Blister Box

Specifications:
 Contact resistance: ≤20mΩ
 Insulation resistance: ≥100MΩ
 Rated voltage: 50V AC DC
 Rated current: 3.0A AC DC
 Temperature Range: -40°C ~ +125°C
 Housing: PPE/PA66 UL94-HB, Grey
 TPA: PPE/PA66 UL94-HB, Black

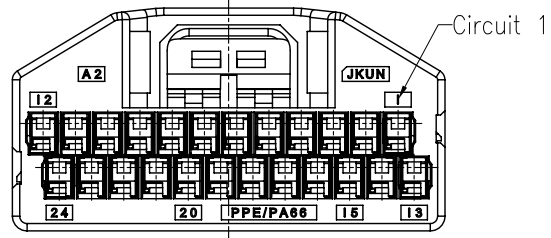


JKUN 温州健坤接插件有限公司 WENZHOU JKUN CONNECTOR CO.,LTD.		TITLE: 2.20 Pitch Connector	
GENERAL TOLERANCE		USE: CUSTOMER	PART NO.:
X. ±0.50	X. ±5'	APPD: J.J.Yao	QA2201TY-214-P2G-B
X.X ±0.30	X.X ±2'	CHKD: X.F.Yan	DWG NO.:
X.XX ±0.20	X.XX ±1'	DR: Z.M.Xue	JKUN-GCKH-1711
UNITS: mm		SCALE	SHEET
		2 : 1	1 / 1

A B C D E F

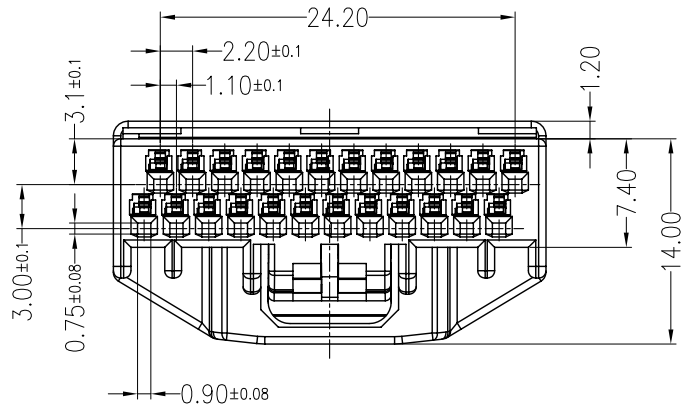
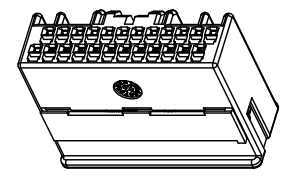
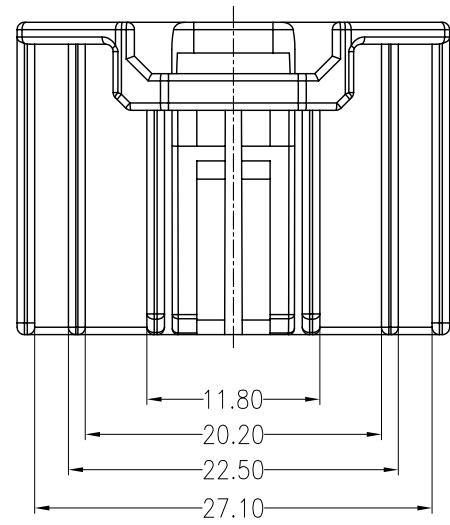
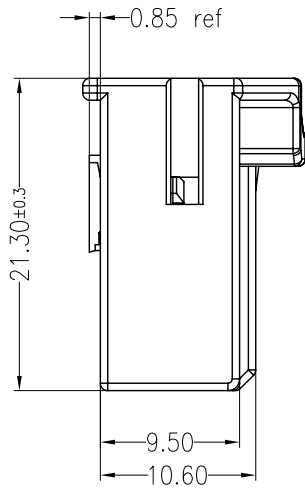
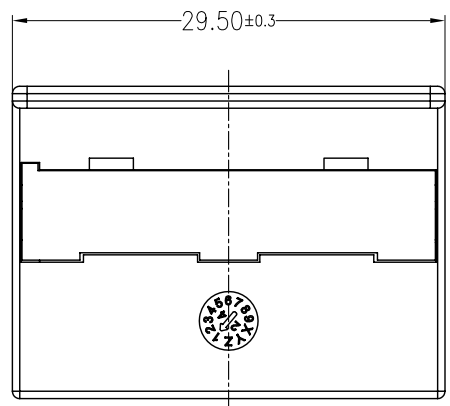
A | B | C | D | E | F

REV	DESCRIPTION	DESIGN	DATE
A	NEW RELEASE	Z.M.Xue	2024.05.31



ORDER INFORMATION:
QA2201TY-212-P2G-B
 PART No. _____
 No.OF CIRCUITS: 2*12
 PLASTIC MATERIAL: P2G=PPE/PA66(Grey)
 PACKAGING: B=Blister Box

Specifications:
 Contact resistance: ≤20mΩ
 Insulation resistance: ≥100MΩ
 Rated voltage: 50V AC DC
 Rated current: 3.0A AC DC
 Temperature Range: -40°C ~ +125°C
 Housing: PPE/PA66 UL94-HB, Grey
 TPA: PPE/PA66 UL94-HB, Black



JKUN 温州健坤接插件有限公司 WENZHOU JKUN CONNECTOR CO.,LTD.		TITLE: 2.20 Pitch Connector	
GENERAL TOLERANCE		USE: CUSTOMER	PART NO.:
X. ±0.50	X. ±5'	APPD: J.J.Yao	QA2201TY-212-P2G-B
X.X ±0.30	X.X ±2'	CHKD: X.F.Yan	DWG NO.:
X.XX ±0.20	X.XX ±1'	DR: Z.M.Xue	JKUN-GCKH-1748
UNITS: mm		SCALE 2 : 1	SHEET 1 / 1

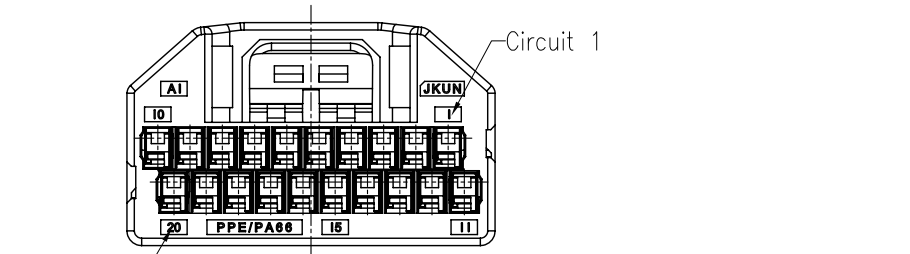
A | B | C | D | E | F

1
2
3
4
5

1
2
3
4

A B C D E F

REV	DESCRIPTION	DESIGN	DATE
A	NEW RELEASE	Z.M.Xue	2023.12.23

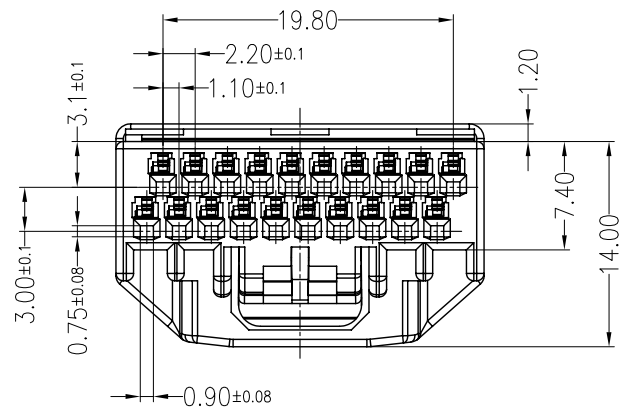
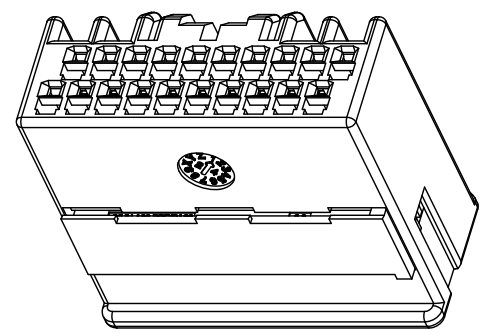
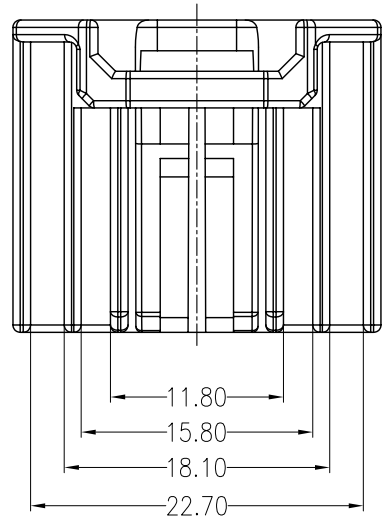
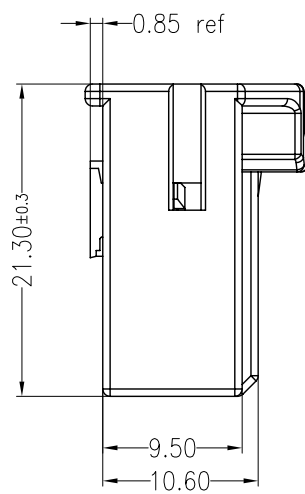
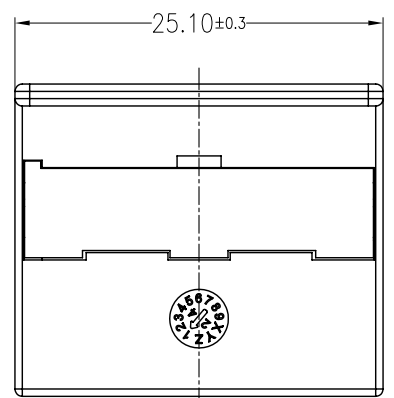


Specifications:
 Contact resistance: $\leq 20m\Omega$
 Insulation resistance: $\geq 100M\Omega$
 Rated voltage: 50V AC DC
 Rated current: 3.0A AC DC
 Temperature Range: $-40^{\circ}C \sim +125^{\circ}C$
 Housing: PPE/PA66 UL94-HB, Grey
 TPA: PPE/PA66 UL94-HB, Black

ORDER INFORMATION:

QA2201TY-210-P2G-B

PART No. _____
 No.OF CIRCUITS: 2*10
 PLASTIC MATERIAL: P2G=PPE/PA66(Grey)
 PACKAGING: B=Blister Box



JKUN 温州健坤接插件有限公司 WENZHOU JKUN CONNECTOR CO.,LTD.		TITLE: 2.20 Pitch Connector	
GENERAL TOLERANCE		USE: CUSTOMER	PART NO.: QA2201TY-210-P2G-B
X. ±0.50	X. ±5'	APPD: J.J.Yao	DWG NO.: JKUN-GCKH-1694
X.X ±0.30	X.X ±2'	CHKD: X.F.Yan	SCALE 2 : 1
X.XX ±0.20	X.XX ±1'	DR: Z.M.Xue	SHEET 1 / 1
UNITS: mm			

A B C D E F

1
2
3
4
5

1
2
3
4
5

A

B

C

D

E

F

REV	DESCRIPTION	DESIGN	DATE
A	NEW RELEASE	Z.M.Xue	2024.03.19

Specifications:

Contact resistance: $\leq 20m\Omega$ Insulation resistance: $\geq 100M\Omega$

Rated voltage: 50V AC DC

Rated current: 3.0A AC DC

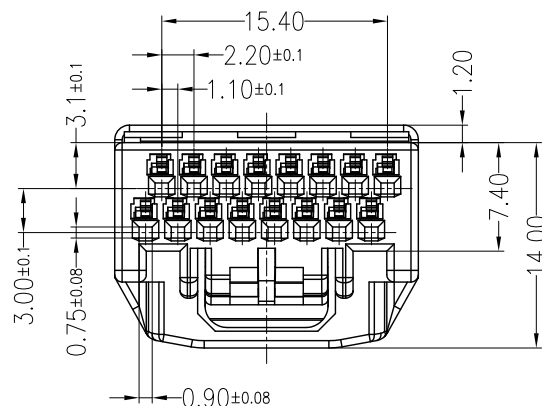
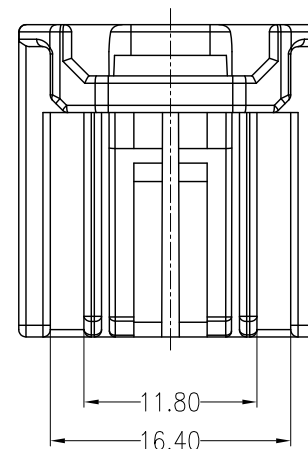
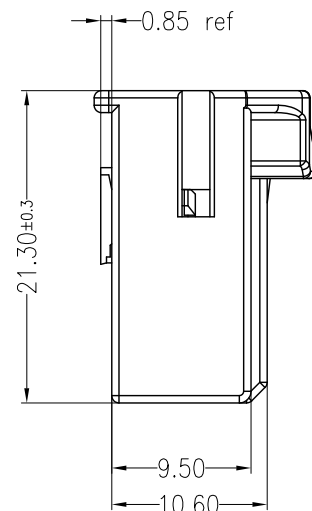
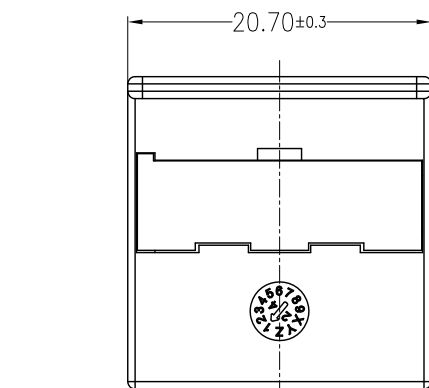
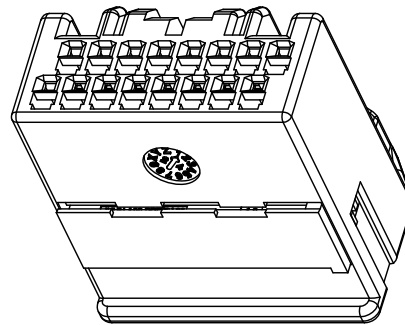
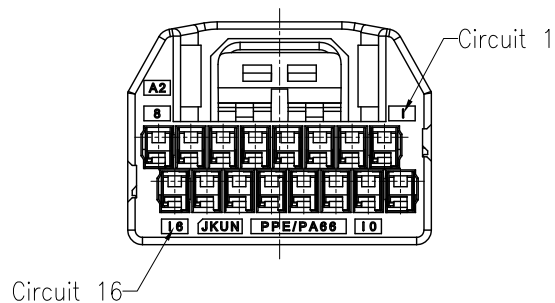
Temperature Range: $-40^{\circ}C \sim +125^{\circ}C$

Housing: PPE/PA66 UL94-HB, Grey

TPA: PPE/PA66 UL94-HB, Black

ORDER INFORMATION:

QA2201TY-208-P2G-B	
PART No.	PACKAGING: B=Blister Box
No.OF CIRCUITS: 2*08	
PLASTIC MATERIAL: P2G=PPE/PA66(Grey)	



JKUN 温州健坤接插件有限公司
WENZHOU JKUN CONNECTOR CO.,LTD.

TITLE:
2.20 Pitch Connector

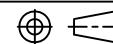
GENERAL TOLERANCE

USE:
CUSTOMER

PART NO.:

X. ± 0.50 X. $\pm 5^{\circ}$ APPD:
J.J.Yao

QA2201TY-208-P2G-B

X.X ± 0.30 X.X $\pm 2^{\circ}$ CHKD:
X.F.YanDWG NO.:
JKUN-GCKH-1694X.XX ± 0.20 X.XX $\pm 1^{\circ}$ DR:
Z.M.XueSCALE
2 : 1SHEET
1 / 1UNITS:
mm

A

B

C

D

E

F

A

B

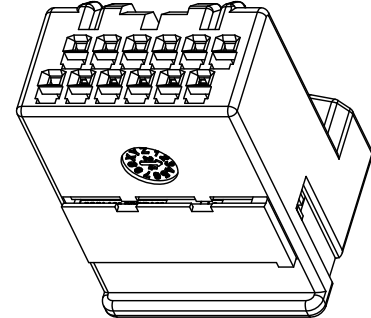
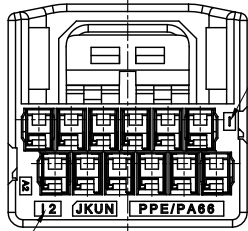
C

D

E

F

REV	DESCRIPTION	DESIGN	DATE
A	NEW RELEASE	Z.M.Xue	2024.03.19



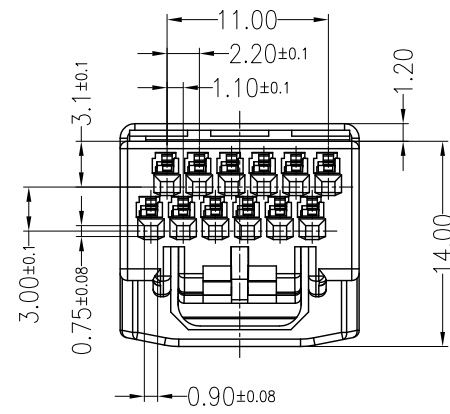
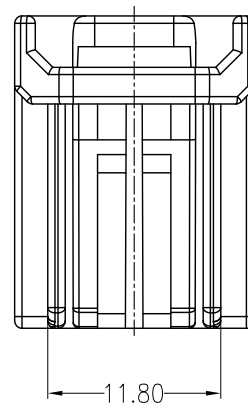
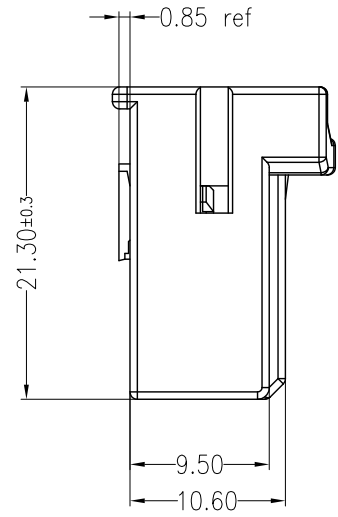
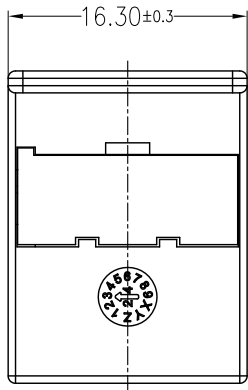
Specifications:

Contact resistance: $\leq 20m\Omega$
 Insulation resistance: $\geq 100M\Omega$
 Rated voltage: 50V AC DC
 Rated current: 3.0A AC DC
 Temperature Range: $-40^{\circ}C \sim +125^{\circ}C$
 Housing: PPE/PA66 UL94-HB, Grey
 TPA: PPE/PA66 UL94-HB, Black

ORDER INFORMATION:

QA2201TY-206-P2G-B		
PART No.		
No.OF CIRCUITS: 2*06		PACKAGING: B=Blister Box
PLASTIC MATERIAL: P2G=PPE/PA66(Grey)		

Circuit 12



JKUN 温州健坤接插件有限公司
 WENZHOU JKUN CONNECTOR CO.,LTD.

TITLE:
2.20 Pitch Connector

GENERAL TOLERANCE	
X. ± 0.50	X. $\pm 5^{\circ}$
X.X ± 0.30	X.X $\pm 2^{\circ}$
X.XX ± 0.20	X.XX $\pm 1^{\circ}$

USE: CUSTOMER
APPD: J.J.Yao
CHKD: X.F.Yan
DR: Z.M.Xue

PART NO.:	
QA2201TY-206-P2G-B	
DWG NO.:	
JKUN-GCKH-1708	
SCALE	SHEET
2 : 1	1 / 1



UNITS:
mm

A

B

C

D

E

F

1

2

3

4

5

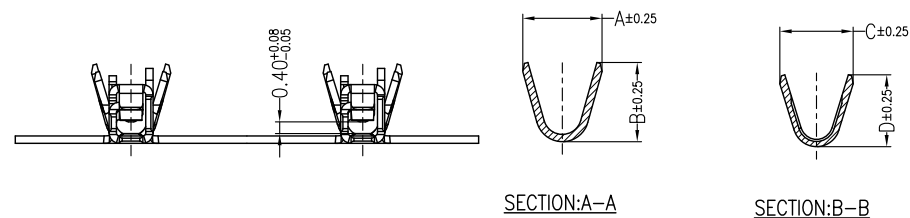
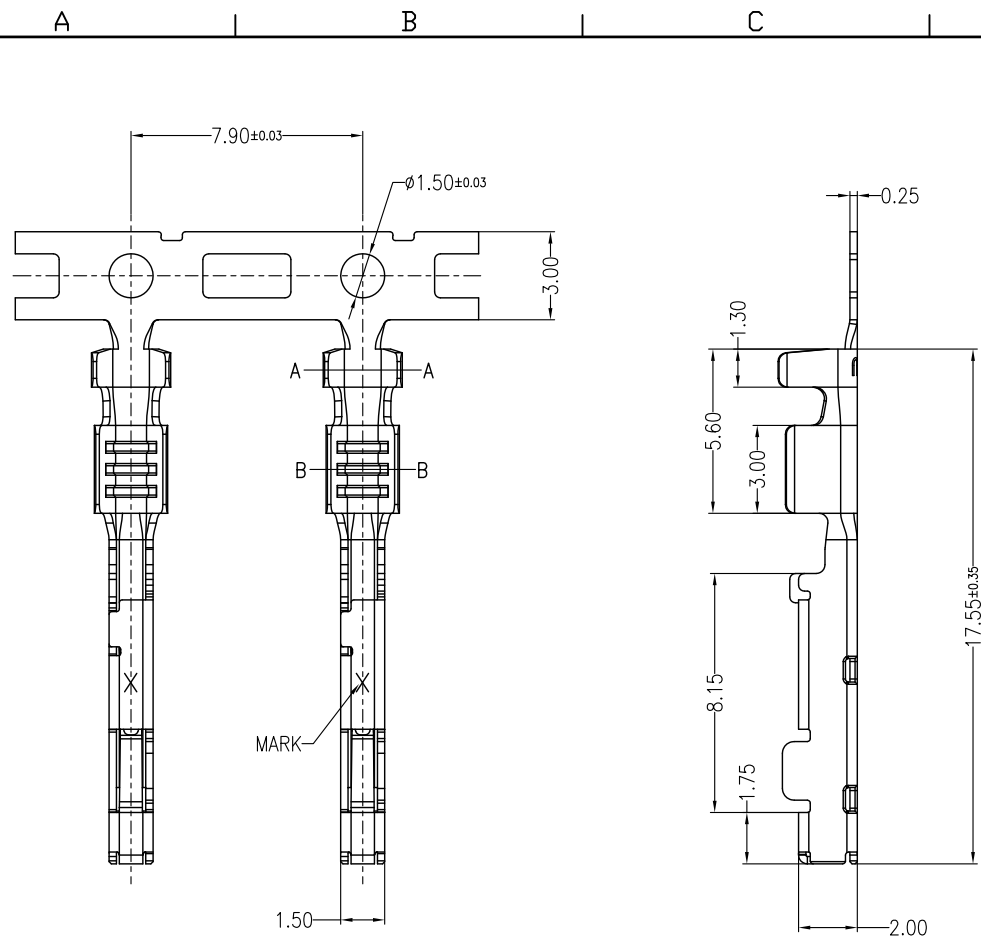
1

2

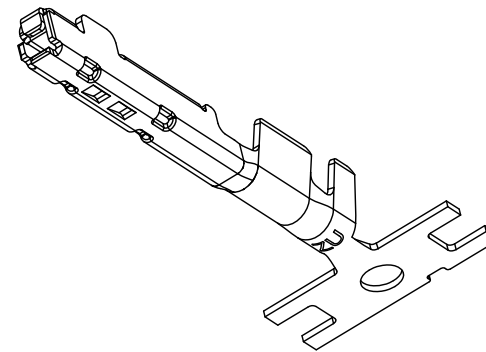
3

4

5



REV	DESCRIPTION	DESIGN	DATE
A	NEW RELEASE	Z.M.Xue	2023.12.22



Part No	Material	Finish	Wire Size	Insulation O.D	Dimensions(mm)				MARK
					A	B	C	D	
QA2201T-03	Copper Alloy	Sn-plated	AVSS 0.85mm ² (0.85mm ²)	1.80mm (Max)	2.70	2.90	2.55	3.00	No MARK
QA2201T-02			AWG#20 (0.5~0.75mm ²)	1.60~1.80mm	2.70	2.70	2.50	2.45	"M" MARK
QA2201T-01			AWG#22~24 (0.22~0.35mm ²)	1.20~1.30mm	2.60	2.60	2.10	2.10	"S" MARK

JKUN 温州健坤接插件有限公司 WENZHOU JKUN CONNECTOR CO.,LTD.			TITLE: 2.20mm PITCH Terminal	
			PART NO.: QA2201T-**	
GENERAL TOLERANCE		USE: CUSTOMER		DWG NO.:
X.X ±0.30	X. ±5'	APPD: J.J.Yao		JKUN-GCDZ-0136
X.XX ±0.20	X.X ±2'	CHKD: X.F.Yan		SCALE
X.XXX ±0.10	X.XX ±1'	DR: Z.M.Xue		SHEET
UNITS: mm		4 : 1		1 / 1

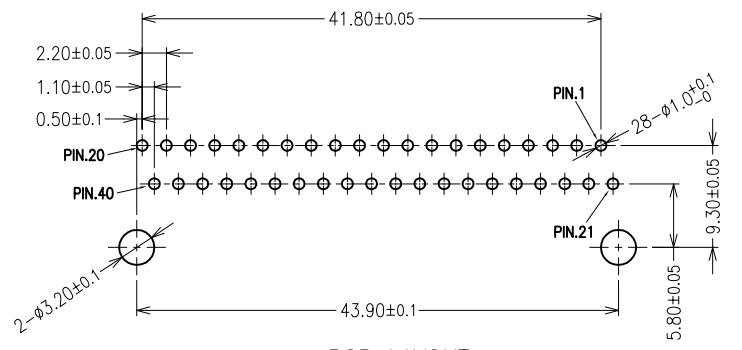
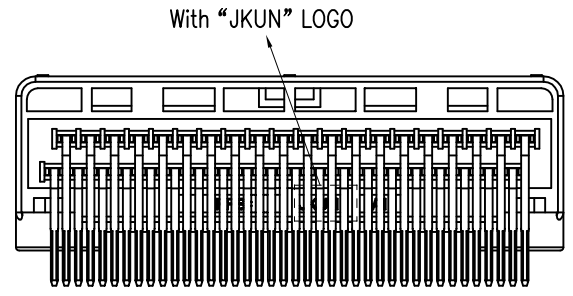
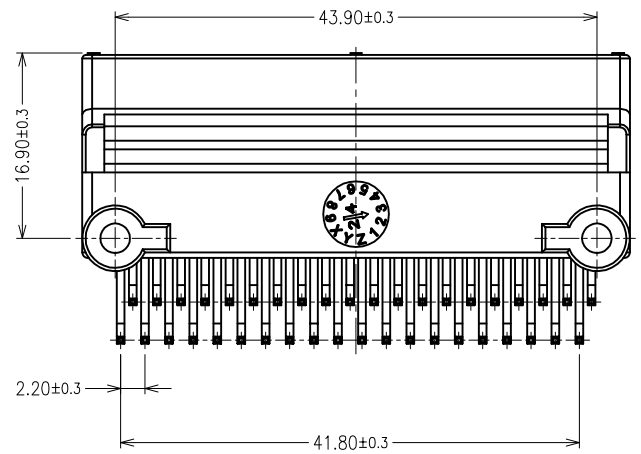
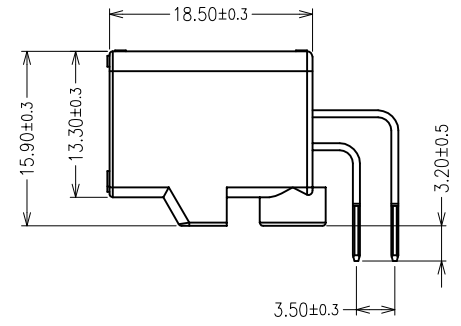
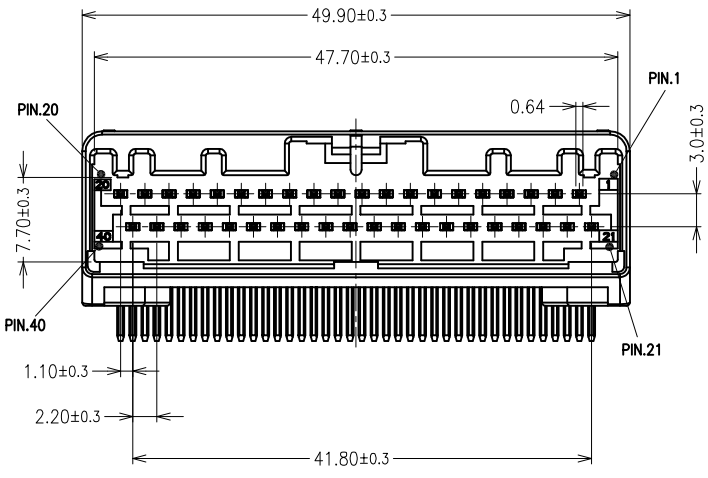
RoHS

REV	DESCRIPTION	DESIGN	DATE
A	NEW RELEASE	Yonghua fei	2024/08/15

Specifications:
 Poles: 40
 Contact resistance: $\leq 20m\Omega$
 Insulation resistance: $\geq 100M\Omega$
 Rated voltage: 50V Max. AC/DC
 Rated current: 3A Max. AC/DC
 Withstand Voltage: 1000V AC/minute
 Temperature Range: $-40^{\circ}C \sim +125^{\circ}C$
 Housing: PPS UL94V-0, GRAY
 Contacts: BRASS/ Sn-plated
 APPLICABLE SCREW: JIS B 1122 CROSS RECESSED HEAD TAPPING SCREW M3x6, CLASS 2 (TYPE B)

ORDER INFORMATION:

QA2201AW-220-N3GA3-B			
PART No.			PACKAGING:
No. OF CIRCUITS:			B=TUBE
2*20P			G=TUBE
PLASTIC MATERIAL:			Metal code:
N3=PPS			3=BRASS
COLOR:			PLATING:
G=GRAY			A= Tin

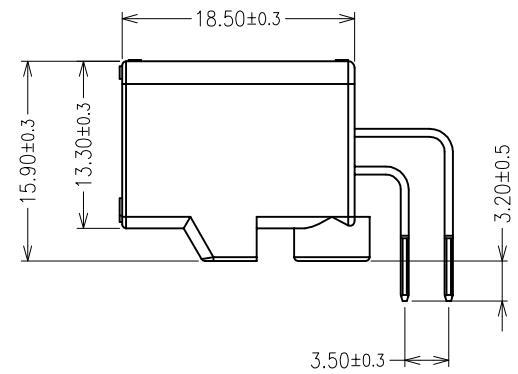
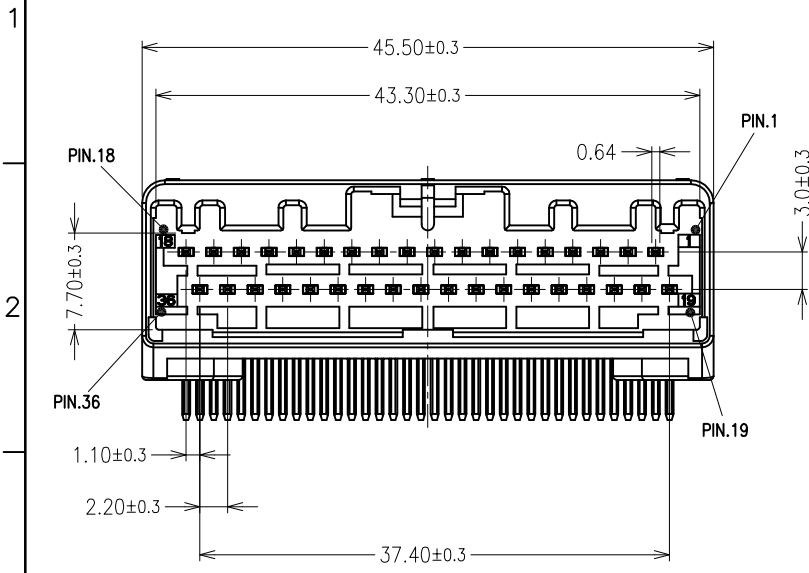


PCB LAYOUT

JKUN 温州健坤接插件有限公司 WENZHOU JKUN CONNECTOR CO.,LTD.		TITLE: QA2201AW Header 90°DIP	
GENERAL TOLERANCE		USE:	PART NO.:
X.X ±0.30	X. ±5'	CUSTOMER	QA2201AW-220-N3GA3-B
X.XX ±0.20	X.X ±2'	APPD: Jianjun yao	DWG NO.:
X.XXX ±0.10	X.XX ±1'	CHKD: Xiaofang Yan	JKUN-GCKH-1693
	UNITS: mm	DR: Yonghua fei	SCALE 1 : 1
			SHEET 1 / 1

RoHS

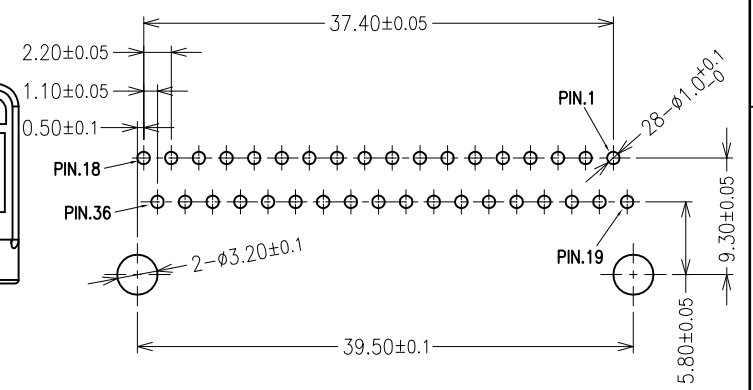
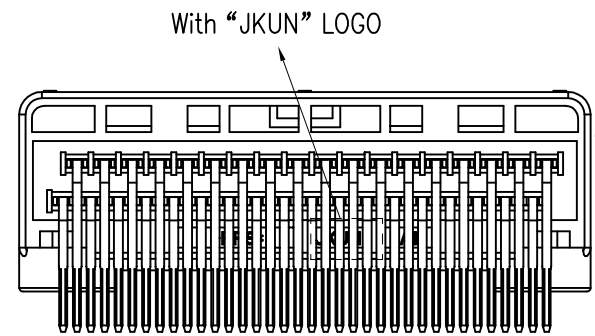
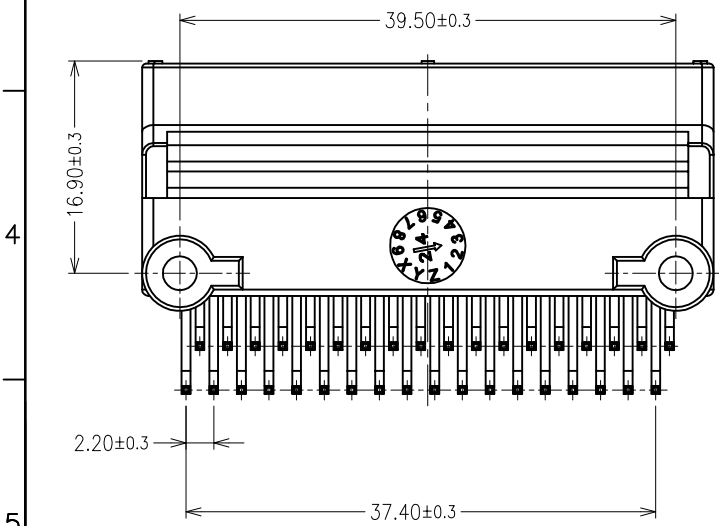
REV	DESCRIPTION	DESIGN	DATE
A	NEW RELEASE	Yonghua fei	2024/08/15



Specifications:
 Poles: 36
 Contact resistance: ≤20mΩ
 Insulation resistance: ≥100MΩ
 Rated voltage: 50V Max. AC/DC
 Rated current: 3A Max. AC/DC
 Withstand Voltage: 1000V AC/minute
 Temperature Range: -40°C ~ +125°C
 Housing: PPS UL94V-0, GRAY
 Contacts: BRASS/ Sn-plated
 APPLICABLE SCREW: JIS B 1122 CROSS RECESSED HEAD TAPPING SCREW M3x6, CLASS 2 (TYPE B)

ORDER INFORMATION:

QA2201AW-218-N3GA3-B	
PART No.:	
No. OF CIRCUITS:	
2*18P	
PLASTIC MATERIAL:	
N3=PPS	
COLOR:	
G: GRAY	
PACKAGING:	
B=TRIAL	
G=TUBE	
Metal code:	
3=BRASS	
PLATING:	
A= Tin	



PCB LAYOUT

JKUN 温州健坤接插件有限公司 WENZHOU JKUN CONNECTOR CO.,LTD.		TITLE: QA2201AW Header 90°DIP	
GENERAL TOLERANCE		USE:	PART NO.:
X.X ±0.30	X. ±5°	CUSTOMER	QA2201AW-218-N3GA3-B
X.XX ±0.20	X.X ±2°	APPD: Jianjun yao	DWG NO.:
X.XXX ±0.10	X.XX ±1°	CHKD: Xiaofang Yan	JKUN-GCKH-1693
UNITS: mm	DR: Yonghua fei	SCALE 1 : 1	SHEET 1 / 1

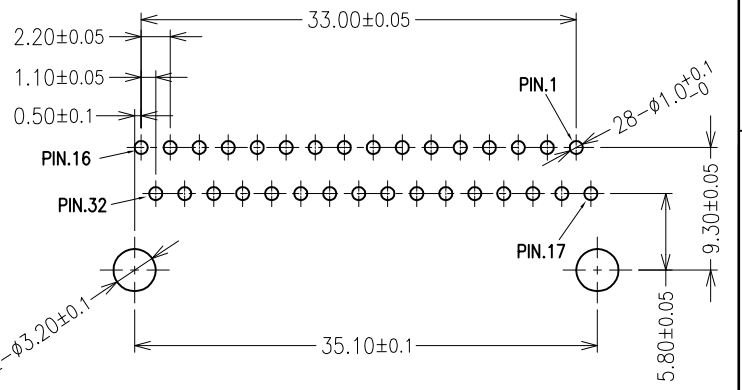
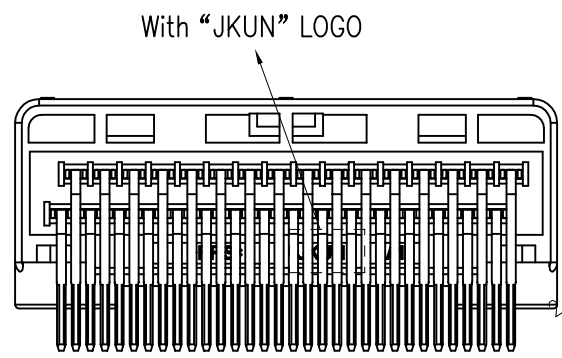
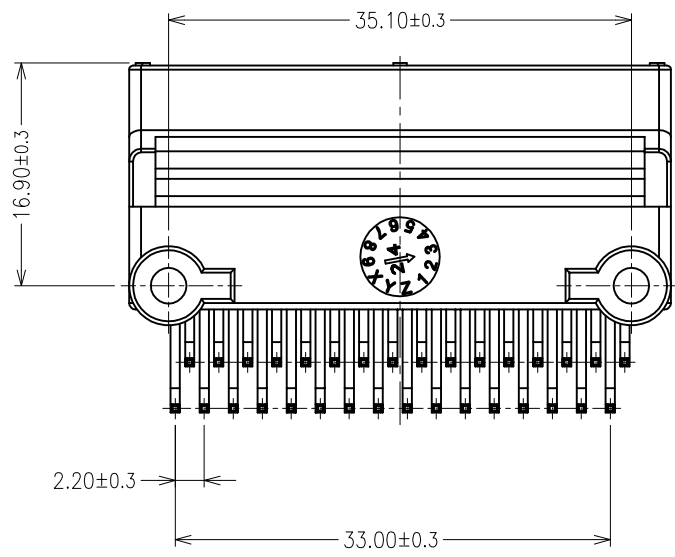
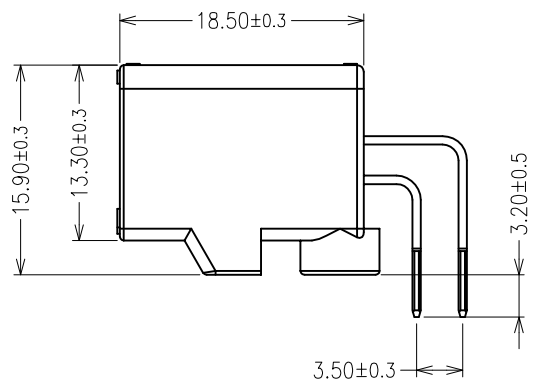
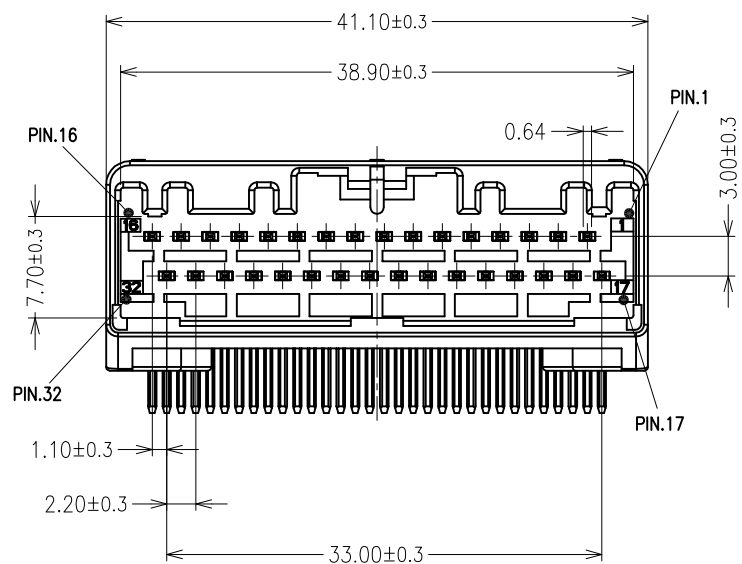
RoHS

REV	DESCRIPTION	DESIGN	DATE
A	NEW RELEASE	Yonghua fei	2024/05/31

Specifications:
 Poles: 32
 Contact resistance: ≤20mΩ
 Insulation resistance: ≥100MΩ
 Rated voltage: 50V Max. AC/DC
 Rated current: 3A Max. AC/DC
 Withstand Voltage: 1000V AC/minute
 Temperature Range: -40°C ~ +125°C
 Housing: PPS UL94V-0, GRAY
 Contacts: BRASS/ Sn-plated
 APPLICABLE SCREW: JIS B 1122 CROSS RECESSED HEAD TAPPING SCREW M3x6, CLASS 2 (TYPE B)

ORDER INFORMATION:

QA2201AW-216-N3GA3-B			
PART No.			PACKAGING:
No. OF CIRCUITS:			B=TRIAL
2*16P			G=TUBE
PLASTIC MATERIAL:			Metal code:
N3=PPS			3=BRASS
COLOR:			PLATING:
G=GRAY			A= Tin



PCB LAYOUT

JKUN 温州健坤接插件有限公司 WENZHOU JKUN CONNECTOR CO.,LTD.		TITLE: QA2201AW Header 90°DIP	
GENERAL TOLERANCE		USE: CUSTOMER	PART NO.:
X.X ±0.30	X. ±5'	APPD: Jianjun yao	QA2201AW-216-N3GA3-B
X.XX ±0.20	X.X ±2'	CHKD: Xiaofang Yan	DWG NO.:
X.XXX ±0.10	X.XX ±1'	DR: Yonghua fei	JKUN-GCKH-1693
	UNITS: mm	SCALE 1 : 1	SHEET 1 / 1

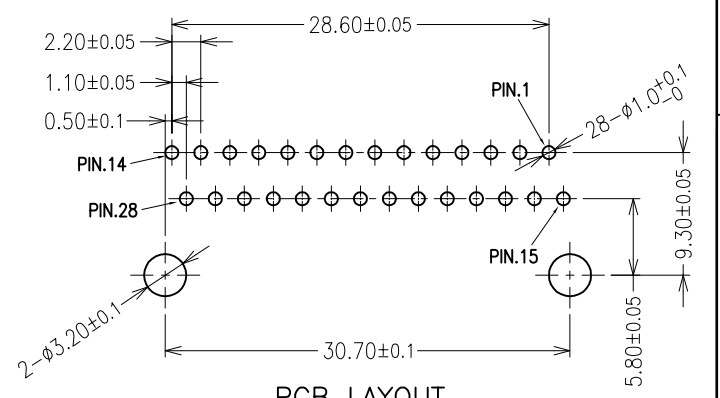
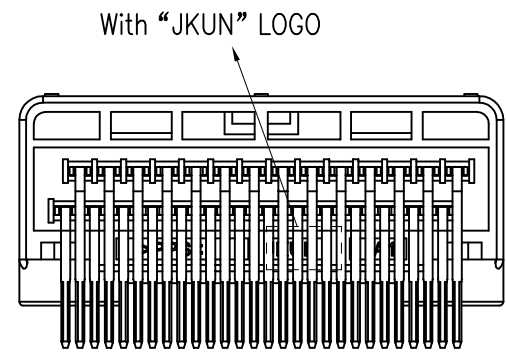
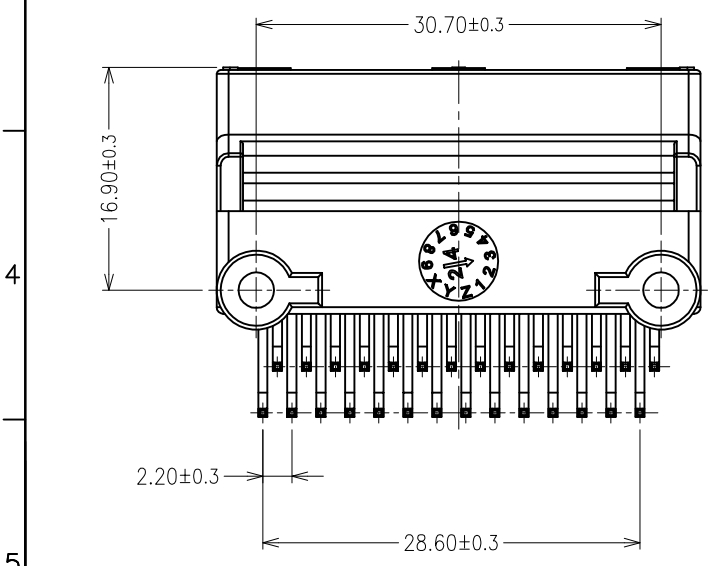
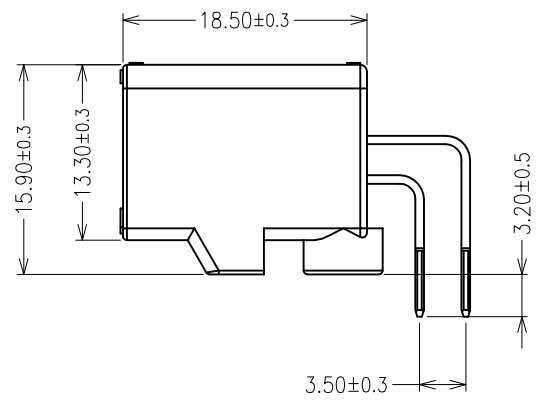
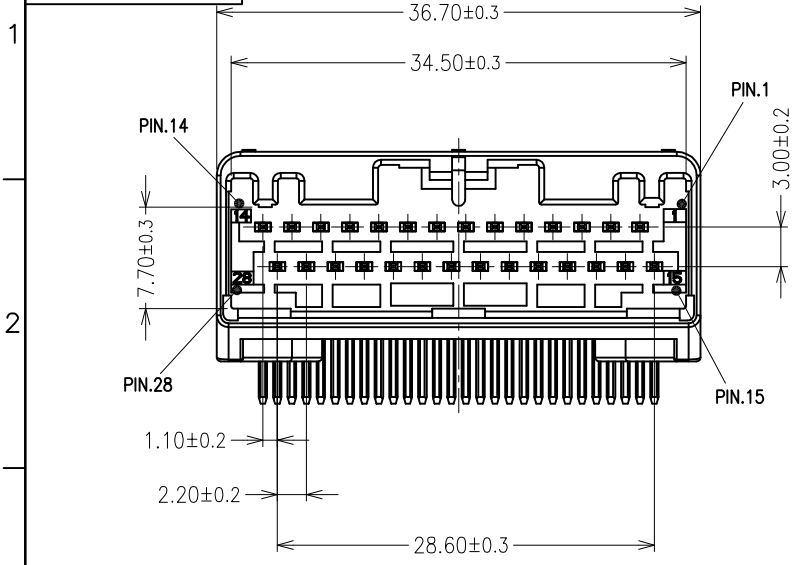
RoHS

REV	DESCRIPTION	DESIGN	DATE
A	NEW RELEASE	Yonghua fei	2024/08/05

Specifications:
 Poles: 20
 Contact resistance: ≤20mΩ
 Insulation resistance: ≥100MΩ
 Rated voltage: 50V Max. AC/DC
 Rated current: 3A Max. AC/DC
 Withstand Voltage: 1000V AC/minute
 Temperature Range: -40°C ~ +125°C
 Housing: PPS UL94V-0, GRAY
 Contacts: BRASS/ Sn-plated
 APPLICABLE SCREW: JIS B 1122 CROSS RECESSED HEAD TAPPING SCREW M3x6, CLASS 2 (TYPE B)

ORDER INFORMATION:

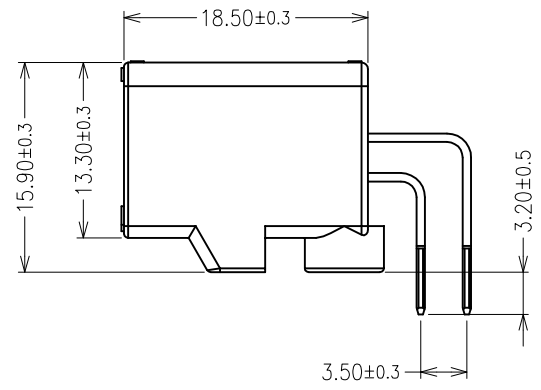
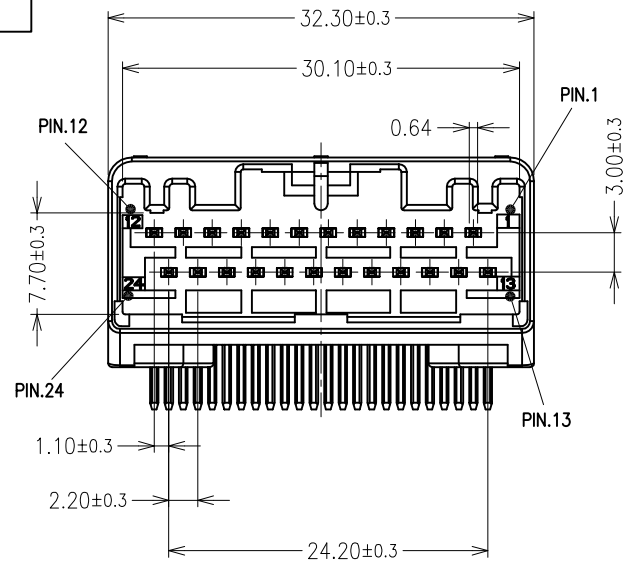
QA2201AW-214-N3GA3-G	
PART No. _____	PACKAGING: B=TRIAL G=TUBE Metal code: 3=BRASS
No. OF CIRCUITS: 2*14P	PLASTIC MATERIAL: N3=PPS
COLOR: G: GRAY K: BLACK	PLATING: A= Tin



JKUN 温州健坤接插件有限公司 WENZHOU JKUN CONNECTOR CO.,LTD.		TITLE: QA2201AW Header 90°DIP	
GENERAL TOLERANCE		USE: CUSTOMER	PART NO.:
X.X ±0.30	X. ±5°	APPD: Jianjun yao	QA2201AW-214-N3GA3-G
X.XX ±0.20	X.X ±2°	CHKD: Xiaofang Yan	DWG NO.:
X.XXX ±0.10	X.XX ±1°	DR: Yonghua fei	JKUN-GCKH-1693
⊕	UNITS: mm	SCALE 1 : 1	SHEET 1 / 1

RoHS

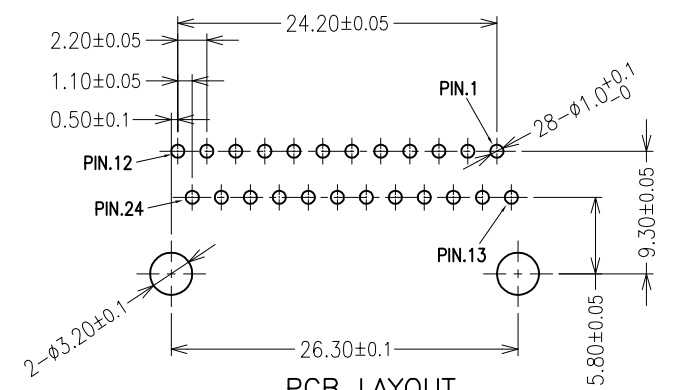
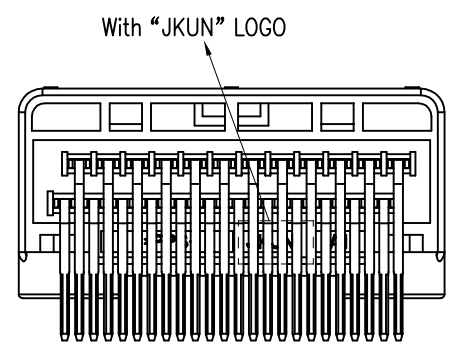
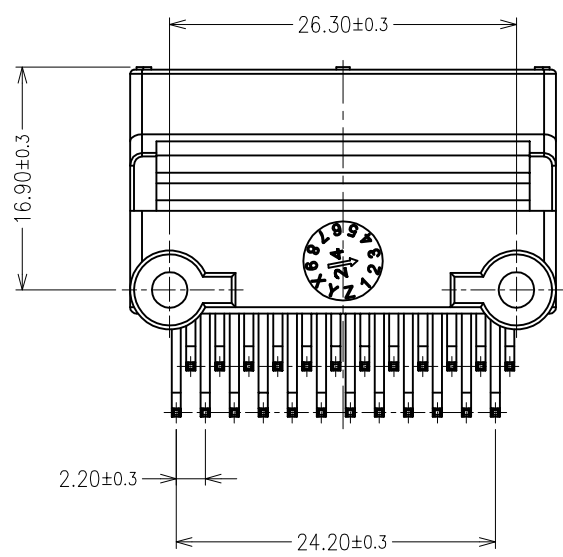
REV	DESCRIPTION	DESIGN	DATE
A	NEW RELEASE	Yonghua fei	2024/08/05



Specifications:
 Poles: 24
 Contact resistance: ≤20mΩ
 Insulation resistance: ≥100MΩ
 Rated voltage: 50V Max. AC/DC
 Rated current: 3A Max. AC/DC
 Withstand Voltage: 1000V AC/minute
 Temperature Range: -40°C ~ +125°C
 Housing: PPS UL94V-0, GRAY
 Contacts: BRASS/ Sn-plated
 APPLICABLE SCREW: JIS B 1122 CROSS RECESSED HEAD TAPPING SCREW M3x6, CLASS 2 (TYPE B)

ORDER INFORMATION:

QA2201AW-212-N3GA3-B			
PART No.			
No. OF CIRCUITS:	2*12P		
PLASTIC MATERIAL:	N3=PPS		
COLOR:	G=GRAY		
PACKAGING:	B=TRIAL		
	G=TUBE		
	3=BRASS		
	A= Tin		



PCB LAYOUT

JKUN 温州健坤接插件有限公司 WENZHOU JKUN CONNECTOR CO.,LTD.		TITLE: QA2201AW Header 90°DIP	
GENERAL TOLERANCE		USE: CUSTOMER	PART NO.:
X.X ±0.30	X. ±5°	APPD: Jianjun yao	QA2201AW-212-N3GA3-B
X.XX ±0.20	X.X ±2°	CHKD: Xiaofang Yan	DWG NO.:
X.XXX ±0.10	X.XX ±1°	DR: Yonghua fei	JKUN-GCKH-1693
	UNITS: mm	SCALE 1 : 1	SHEET 1 / 1

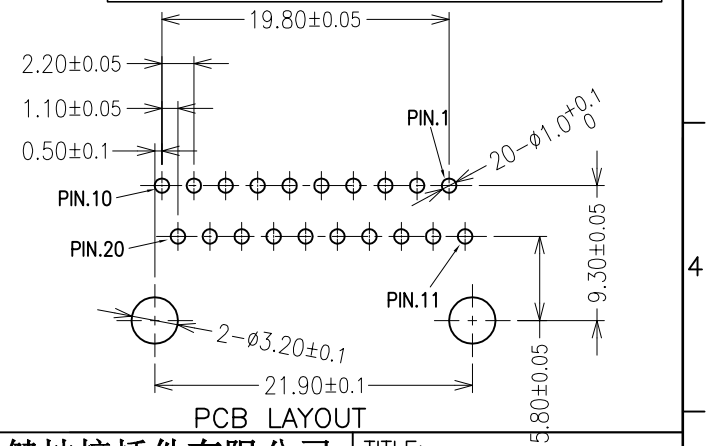
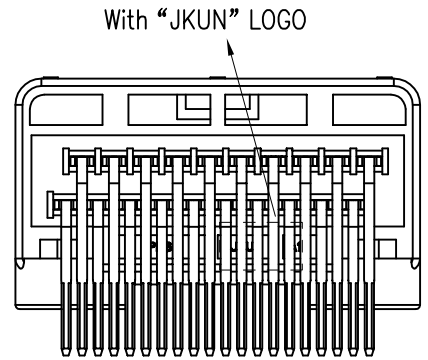
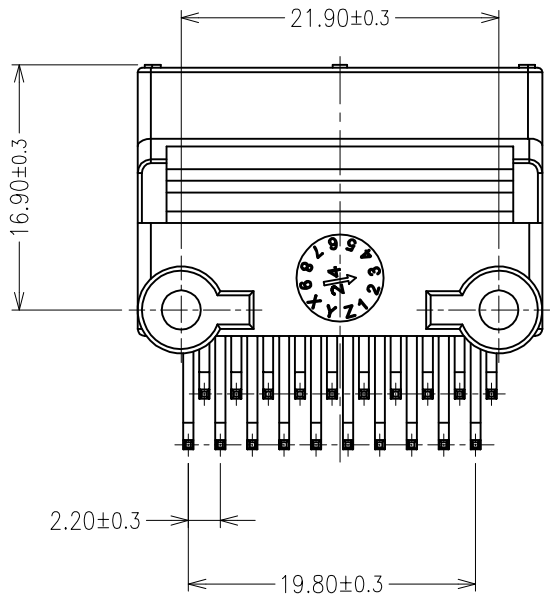
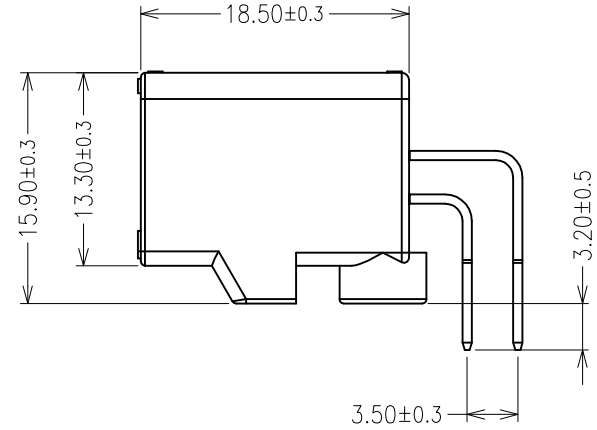
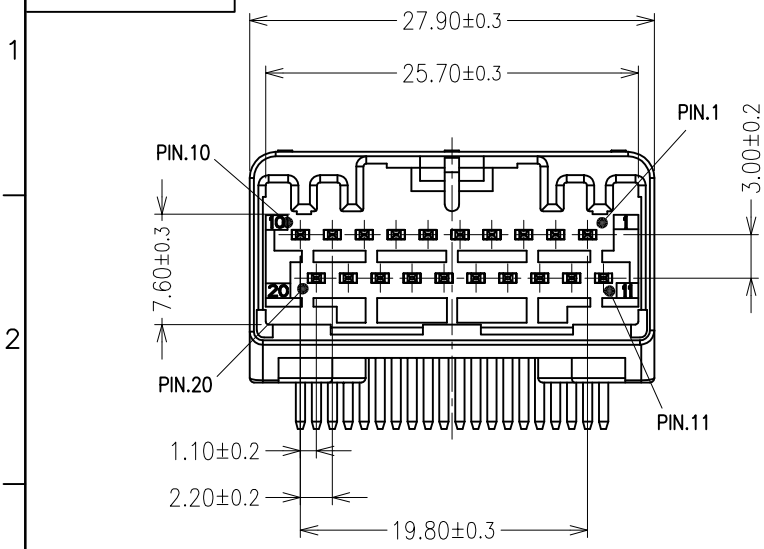
RoHS

REV	DESCRIPTION	DESIGN	DATE
A	NEW RELEASE	Yonghua fei	2024/05/26

Specifications:
 Poles: 20
 Contact resistance: ≤20mΩ
 Insulation resistance: ≥100MΩ
 Rated voltage: 50V Max. AC/DC
 Rated current: 3A Max. AC/DC
 Withstand Voltage: 1000V AC/minute
 Temperature Range: -40°C ~ +125°C
 Housing: PPS UL94V-0, GRAY
 Contacts: BRASS/ Sn-plated
 APPLICABLE SCREW: JIS B 1122 CROSS RECESSED HEAD TAPPING SCREW M3x6, CLASS 2 (TYPE B)

ORDER INFORMATION:

QA2201AW-210-N3GA3-B			
PART No.:		PACKAGING:	B=TRAL
No. OF CIRCUITS:	2*10P	Metal code:	3=BRASS
PLASTIC MATERIAL:	N3G=PPS	PLATING:	A= Tin

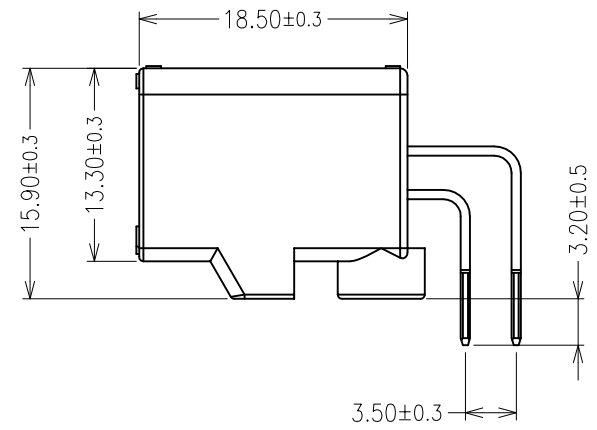
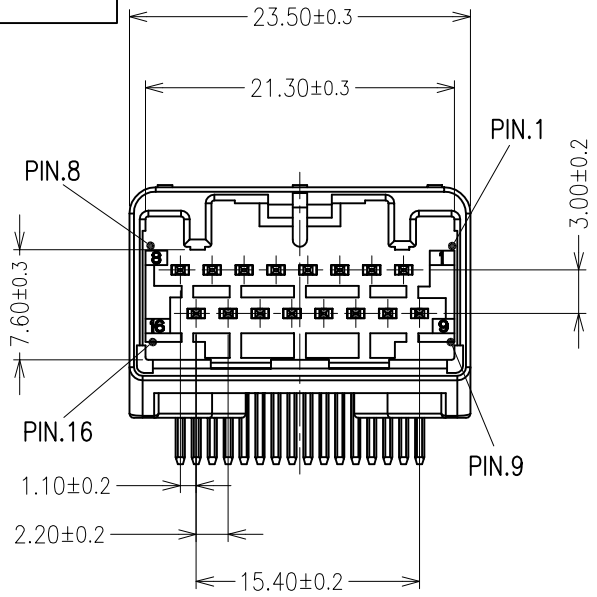


PCB LAYOUT

JKUN 温州健坤接插件有限公司 WENZHOU JKUN CONNECTOR CO.,LTD.		TITLE: QA2201AW Header 90°DIP	
GENERAL TOLERANCE		USE:	PART NO.:
X.X ±0.30	X. ±5'	CUSTOMER	QA2201AW-210-N3GA3-B
X.XX ±0.20	X.X ±2'	APPD: Jianjun yao	DWG NO.:
X.XXX ±0.10	X.XX ±1'	CHKD: Xiaofang Yan	JKUN-GCKH-1693
UNITS: mm	DR: Yonghua fei	SCALE 1 : 1	SHEET 1 / 1

RoHS

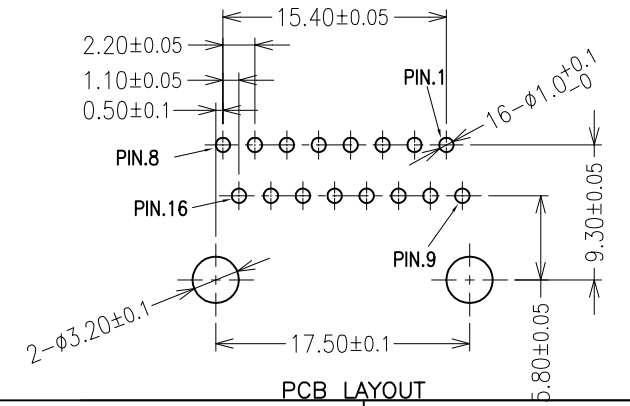
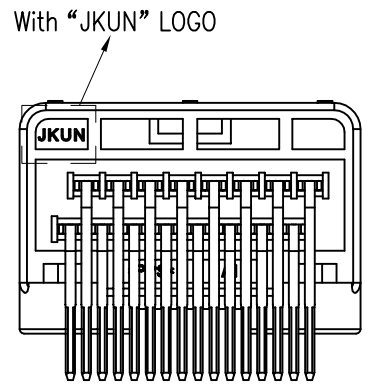
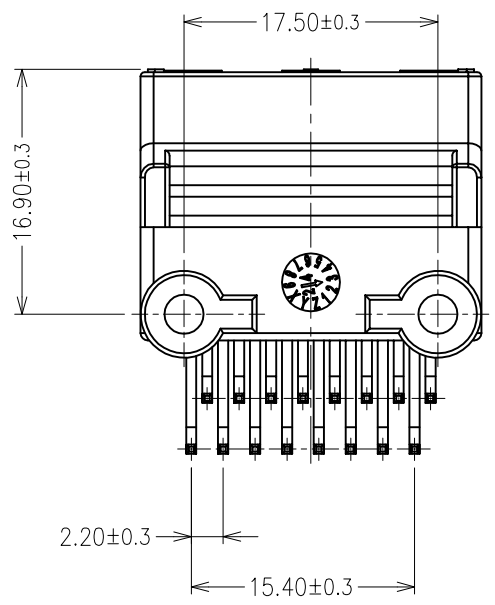
REV	DESCRIPTION	DESIGN	DATE
A	NEW RELEASE	Yonghua fei	2024/03/22



Specifications:
 Poles: 16
 Contact resistance: ≤20mΩ
 Insulation resistance: ≥100MΩ
 Rated voltage: 50V Max. AC/DC
 Rated current: 3A Max. AC/DC
 Withstand Voltage: 1000V AC/minute
 Temperature Range: -40°C ~ +125°C
 Housing: PPS UL94V-0, GRAY
 Contacts: BRASS/ Sn-plated
 APPLICABLE SCREW: JIS B 1122 CROSS RECESSED HEAD TAPPING SCREW M3x6, CLASS 2 (TYPE B)

ORDER INFORMATION:

QA2201AW-208-N3GA3-B			
PART No.			
No. OF CIRCUITS:			
2*08P			
PLASTIC MATERIAL:			
N3=PPS			
COLOR:			
G= GRAY			
PACKAGING:			
B=TRIAL			
G=TUBE			
Metal code:			
3=BRASS			
PLATING:			
A= Tin			

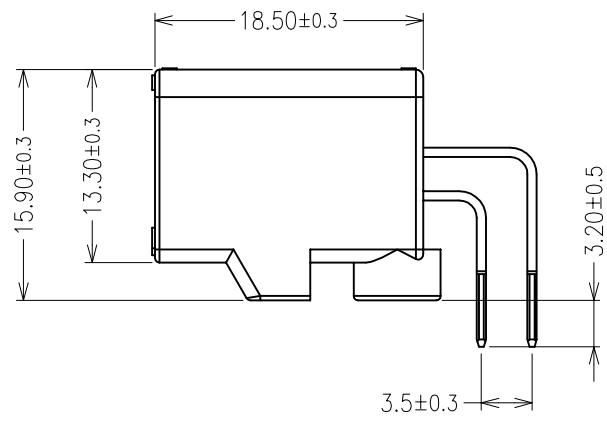
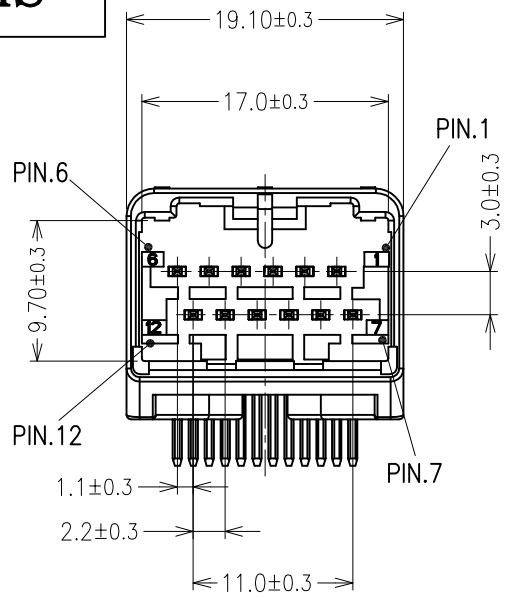


PCB LAYOUT

JKUN 温州健坤接插件有限公司 WENZHOU JKUN CONNECTOR CO.,LTD.		TITLE: QA2201AW Header 90°DIP	
GENERAL TOLERANCE		USE:	PART NO.:
X.X ±0.30	X. ±5°	CUSTOMER	QA2201AW-208-N3GA3-B
X.XX ±0.20	X.X ±2°	APPD:	DWG NO.:
X.XXX ±0.10	X.XX ±1°	Jianjun yao	JKUN-GCKH-1693
		CHKD:	SCALE
		Xiaofang Yan	1 : 1
		DR:	SHEET
		Yonghua fei	1 / 1

RoHS

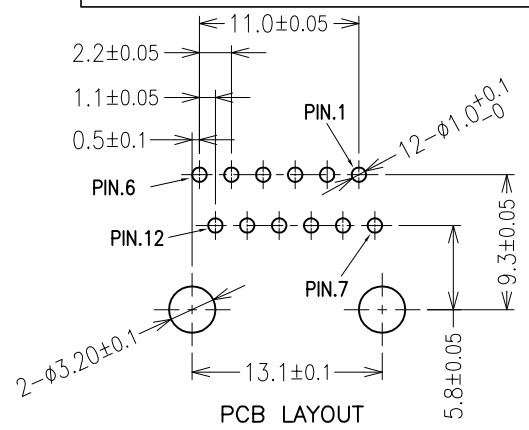
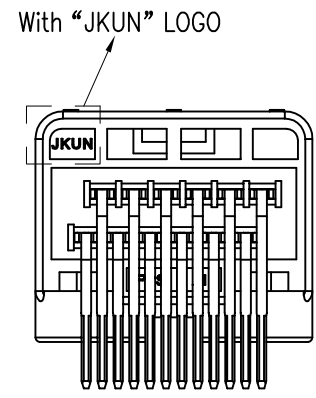
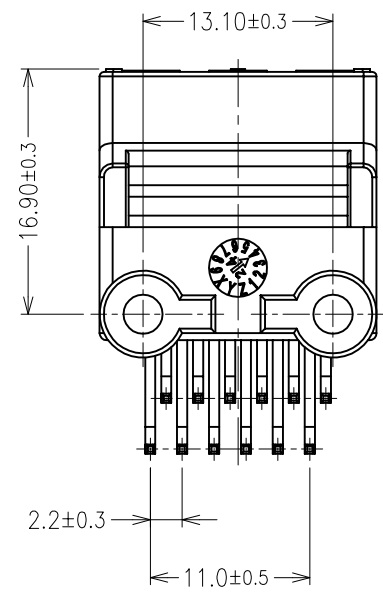
REV	DESCRIPTION	DESIGN	DATE
A	NEW RELEASE	Yonghua fei	2024/03/22



Specifications:
 Poles: 12
 Contact resistance: ≤20mΩ
 Insulation resistance: ≥100MΩ
 Rated voltage: 50V Max. AC/DC
 Rated current: 3A Max. AC/DC
 Withstand Voltage: 1000V AC/minute
 Temperature Range: -40°C ~ +125°C
 Housing: PPS UL94V-0, GRAY
 Contacts: BRASS/ Sn-plated
 APPLICABLE SCREW: JIS B 1122 CROSS RECESSED HEAD TAPPING SCREW M3x6, CLASS 2 (TYPE B)

ORDER INFORMATION:

QA2201AW-206-N3GA3-B			
PART No.			PACKAGING:
No. OF CIRCUITS:			B=TRAIL
2*06P			G=TUBE
PLASTIC MATERIAL:			Metal code:
N3=PPS			3=BRASS
COLOR:			PLATING:
G: GRAY			A= Tin



PCB LAYOUT

JKUN 温州健坤接插件有限公司 WENZHOU JKUN CONNECTOR CO.,LTD.		TITLE: QA2201AW Header 90°DIP	
GENERAL TOLERANCE		USE:	PART NO.:
X.X ±0.30	X. ±5'	CUSTOMER	QA2201AW-206-N3GA3-B
X.XX ±0.20	X.X ±2'	APPD: Jianjun yao	DWG NO.:
X.XXX ±0.10	X.XX ±1'	CHKD: Xiaofang Yan	JKUN-GCKH-1693
	UNITS: mm	DR: Yonghua fei	SCALE 1 : 1
			SHEET 1 / 1